

GEELY STARRAY EM-i

SPECIFICATION GUIDE



DRIVE		COMPLETE	INSPIRE
Configuration		Front Wheel Drive	
Electric Engine / Petrol Motor Locations		Front / Front	
Shifter Location		Steering Column	
Electric Power / Petrol Power	kW	160 / 73	
Electric Torque / Petrol Torque	Nm	262 / 125	
Maximum Speed – Electronically Limited	km/h	170	
0-100km/h Acceleration	s	8.0	
Turning Circle	m	10.4	
POWER MANAGEMENT		COMPLETE	INSPIRE
Motor Type		Permanent Magnetic Synchronous Motor	
Engine Type		1.5 Litre 4 cylinder Naturally Aspirated	
Battery Type		Lithium Iron Phosphate (LFP)	
Battery Capacity	kWh	18.4	
Fuel Capacity	L	51	
Recommended Fuel		95 RON	
Emissions Standard		Euro 6e	
Combined CO2 Emissions – WLTP ¹	g/km	54	
Combined Range – WLTP ¹	km	943	
Pure Electric Range – WLTP ¹	km	83	
Fuel Consumption – WLTP ¹	L/100km	2.4	
Energy Consumption – WLTP ¹	kWh/100km	14.7	
Maximum Charging Capacity AC / DC	kW	6.6 / 30	
Power Share Capacity V2L / V2V	kW	6 / 6	
Scheduled Charging via Multimedia Screen & Phone App		●	
Mode 2 Charger Cable (8A, 2kW, 5 metres)		●	
CHASSIS		COMPLETE	INSPIRE
Drive Modes		Pure / Hybrid / Power	
Suspension (Front / Rear)		McPherson Strut / Multi-Link	
Steering System		Electric Power Steering (EPS)	
Braking System (Front / Rear)		Ventilated Disc / Solid Disc	
Braking Energy Recovery System (BERS)		Adjustable	
Parking Brake		Electronic	
Auto Hold		●	
WHEELS & TYRES		COMPLETE	INSPIRE
18" Alloy Wheels with 225/55 tyres		●	-
19" Alloy Wheels with 235/50 tyres		-	●
Tyre Pressure Monitoring via Instrument Cluster & Phone App		Individual Measurements	
Tyre Repair Kit		●	
EXTERIOR		COMPLETE	INSPIRE
Headlights – Automatic & LED		●	●
Daytime Running Lights – LED		●	●
Tail Light – LED		●	●
Front & Rear Indicators – LED		●	●
High Mounted Stop Light – LED		●	●
Follow Me Home Lighting		●	●
Fog Lights – Rear		●	●
Roof Rails – 50kg Load Capacity		●	●
Panoramic Power Sunroof with Power Sunshade		-	●
Privacy Glass – Rear Windows		●	●
Power Tailgate		-	●

Side Mirrors <ul style="list-style-type: none"> • Heated • Power Folding 	●	●
Rain Sensing Wipers	●	●

PASSIVE SAFETY	COMPLETE	INSPIRE
----------------	----------	---------

Electronic Brakeforce Distribution (EBD)	●	●
7 Airbags (2 Front, 2 Side, 2 Curtain, & 1 Centre)	●	●
Front Seatbelts – Pretensioners & Load Limiters	●	●
Rear Outer Seatbelts – Pretensioners & Load Limiters	●	●
Seatbelt Reminders – All Seats	●	●
Multi-Collision Braking System	●	●
Rear Parking Sensors	●	●
Front Parking Sensors	-	●
Surround View Monitor with 3D Vehicle View	●	●
High Beam Assist (HBA)	●	●
Electronic Anti-Theft Immobiliser	●	●
Anti-Theft Alarm	●	●
Automatic Lock on Drive	●	●
Child Safety Locks – Mechanical	●	●
Low Speed Pedestrian Alert	●	●
Manual Tailgate Override	-	●

ACTIVE SAFETY ²	COMPLETE	INSPIRE
----------------------------	----------	---------

Geely Traction Control (G-TCS)	●	●
Electronic Stability Control (ESC)	●	●
Anti-Lock Brake System (ABS)	●	●
Anti-Roll System (ARS)	●	●
Hill Descent Control (HDC)	●	●
Automatic Emergency Braking (AEB)	●	●
Adaptive Cruise Control (ACC)	●	●
Intelligent Cruise Control (ICC)	●	●
Collision Mitigation Support Front & Rear (CMSF & CMSR)	●	●
Rear Cross Traffic Alert & Brake (RCTA & RCTB)	●	●
Lane Keeping Assistant (LKA)	●	●
Traffic Sign Information (TSI)	●	●
Door Open Warning (DOW)	●	●
Lane Changing Assist (LCA)	●	●
Blind Spot Detection (BSD)	●	●
Emergency Lane Keeping Assist (ELKA)	●	●
Occupant Detection Alert (ODA)	●	●
Driver Fatigue Alert (DFA)	●	●

INTERIOR & COMFORT	COMPLETE	INSPIRE
--------------------	----------	---------

Keyless Access & Start	●	●
Soft-Touch Instrument Panel	●	●
Steering Wheel <ul style="list-style-type: none"> • Multi-Function • Tilt & Telescopic Manual Adjust 	●	●
Auto-Dimming Interior Mirror	-	●
Sun-Visors Including Mirror	●	-
Sun-Visors Including Mirror & Illumination	-	●
Windows <ul style="list-style-type: none"> • One-Touch Up & Down (All) • Remotely Controlled 	●	●
Interior Lighting <ul style="list-style-type: none"> • LED Front & Rear • LED Luggage Compartment 	●	●
256 Colour Dynamic Ambient Lighting	-	●
Power Seats with GeeLuxe Premium Materials <ul style="list-style-type: none"> • 6-way Driver Seat • 4-way Front Passenger Seat 	●	●
Luggage Compartment Cover	●	●
Heated Seats – 1st Row	●	●
Ventilated Seats – 1st Row	-	●

Memory – Driver Seat	-	●
60:40 Split Folding Seats – 2nd Row	●	●
Central Armrest – 2nd Row	-	●
ISO-FIX Child Restraint System – 2nd Row Outer Seats	●	●
Top Tether Child Restraint System – 2nd Row	●	●
Rest Space	-	●
Camping Space	●	●

AIR CONDITIONING	COMPLETE	INSPIRE
------------------	----------	---------

Automatic Climate Control	●	●
Rear Air Conditioning Vent	●	●
Unlocking/Delayed Ventilation	●	●

INFOTAINMENT & CONNECTIVITY	COMPLETE	INSPIRE
-----------------------------	----------	---------

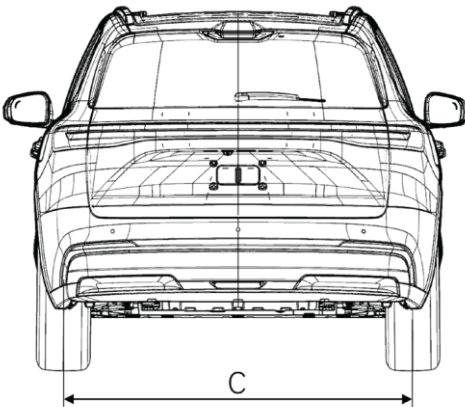
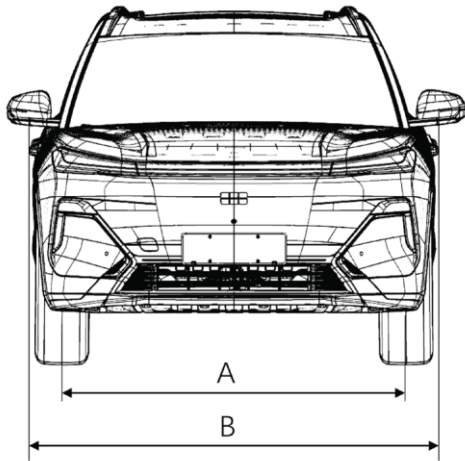
15.4" HD Multimedia Display	●	●
10.2" LCD Instrument Cluster	●	●
13.8" Head-Up Display	-	●
Satellite Navigation	●	●
Apple CarPlay® – Wireless ³	●	●
Android™ Auto – Wireless (coming Q1 2026 via OTA Update) ³	●	●
Wi-Fi Connectivity	●	●
Bluetooth Connectivity ⁴	●	●
Radio – FM, DAB	●	●
Wireless Charging ⁵ – 15W	-	●
USB Ports – 2 x Type A, 2 x Type C	●	●
12V Power Outlet	●	●
6-speaker Sound System	●	-
16-speaker 1,000W Premium Sound System by Flyme Sound <ul style="list-style-type: none"> • 4 x Tweeters • 5 x Mid-Range Speakers • 4 x Woofers • 2 x Driver Headrest Speakers • 1 x Subwoofer 	-	●
Geely Connected Services ⁶ <ul style="list-style-type: none"> • Enhanced Voice Assistant • 4G Network Connection • Live Traffic for Satellite Navigation • Over-the-Air Updates (OTA) • Geely Application Store • Online Media Streaming • Remote Vehicle Functions 	●	●

EXTERIOR COLOURS	COMPLETE	INSPIRE
------------------	----------	---------

Alpine White	●	●
Polar Black	○	○
Cloudveil Silver	○	○
Volcanic Grey	○	○
Glacier Blue	○	○
Jungle Green	○	○

INTERIOR COLOURS	COMPLETE	INSPIRE
------------------	----------	---------

Ebony Black	●	●
Ivory White	-	○



Figure

DIMENSIONS		FIGURE 1
A – Front Track		
• Complete	mm	1,635
• Inspire	mm	1,625
B – Width	mm	1,905
C – Rear Track		
• Complete	mm	1,635
• Inspire	mm	1,625
Luggage Space		
• 2nd Row Up	L	428
• Expanded	L	528
• 2nd Row Down	L	2,065

DIMENSIONS		FIGURE 2
A – Front Overhang	mm	968
B – Wheelbase	mm	2,755
C – Rear Overhang	mm	1,017
D – Length	mm	4,740
E – Height	mm	1,685
Ground Clearance		
• Complete	mm	172
• Inspire	mm	172

DIMENSIONS		WEIGHT
Tare Mass		
• Complete	kg	1,699
• Inspire	kg	1,739
Gross Vehicle Mass		
• Complete	kg	2,165
• Inspire	kg	2,205

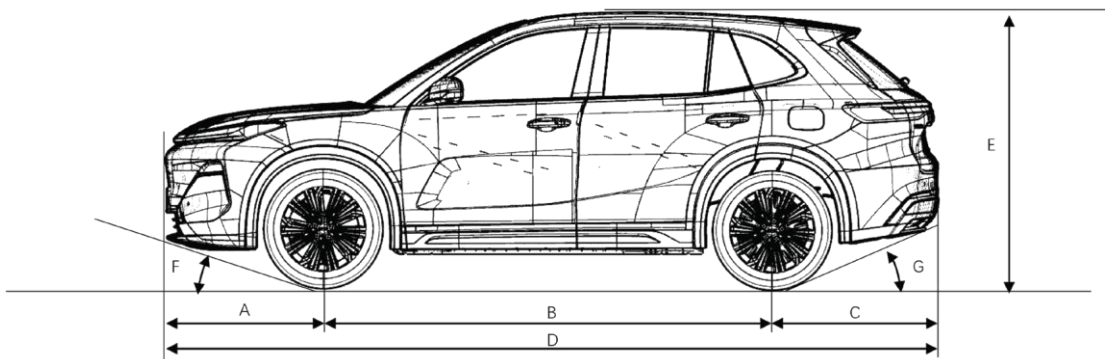


Figure 2

Note: Pre-launch information: All information and images are pre-launch and preliminary (as of September 2025) and subject to change without notice following local validation. Actual Australian specifications, features, colours, and availability may vary by variant and build date. Images may depict pre-production or overseas vehicles and optional equipment. Nothing on this page is an offer or warranty. To the extent permitted by law, Geely Auto Australia accepts no liability for reliance on this material. Nothing in this disclaimer excludes, restricts, or modifies any rights under the Australian Consumer Law. For current details, contact an authorised Geely Dealer. An updated version will be published in September 2025. | ¹Figures shown are based on WLTP (Worldwide Harmonised Light-Duty Vehicles Test Procedure). Real-life results may vary depending on driving style, road and traffic conditions, environmental influences, vehicle condition, use of ancillary features, and accessories fitted. The figures advertised are only to be for comparison amongst vehicles only. | ²Advanced Driver Assist Systems (ADAS) features are designed to assist the driver but do not replace the need for attentive driving. Performance may vary depending on weather, road conditions, and other external factors. Drivers must always remain in control of the vehicle and comply with road laws. Refer to the Owner's Manual for detailed information on system limitations. | ³Apple CarPlay® is a registered trademark of Apple Inc. Android™ Auto is a registered trademark of Google Inc. Apple CarPlay® and Android™ Auto support specific applications and devices. Compatibility and functionality may depend on the operating system and software version of the connected device. Use of these features while driving must comply with local road safety laws. | ⁴Bluetooth functionality is dependent on device compatibility and software version. Features such as call handling, music playback, and other Bluetooth services may vary between devices. Check with your authorised Geely Dealer for compatibility details. | ⁵Wireless charging functionality is compatible with specific devices that meet the Qi standard. Charging performance may vary depending on device type, battery condition, and usage during charging. Non-compatible devices may require additional accessories. Always ensure the charging surface is free from objects to avoid interference. | ⁶Geely Connected Services are provided through a SIM card that is permanently installed in the vehicle. Features may vary by model, market, and service provider. Subscription fees may apply after the initial trial period. Check with your authorised Geely Dealer for more information. Geely Auto Australia Pty Ltd is not responsible for service interruptions caused by network or coverage limitations.